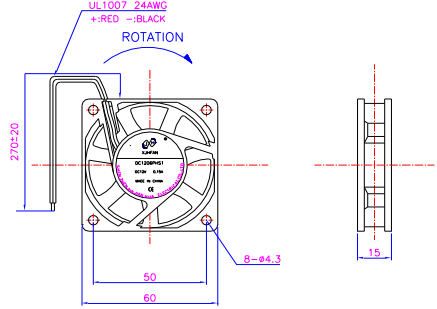
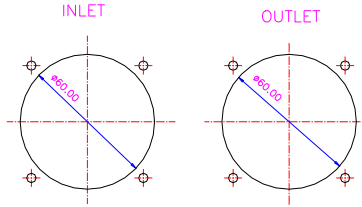


60×60×15 mm

XJHFAN

Bearing Type: Ball/Sleeve bearing

Air Flow: 15~21CFM



编号 Model	电压 Rating Voltage(VDC)	电流 Power Current (AMP)	功率 Power Consumption (WATTS)	轴承 Bearing Ball Sleeve	转速 Speed (RPM)	风量 Air Flow (CFM)	风压 Static Pressure (Inch-H ₂ O)	噪声 Noise (dBA)
DC0506PHS2	5	0.38	1.9	S	4000	17.5	0.135	32
DC0506PHS3	S	0.24	1.2	S	3300	14.5	0.11	27
DC0506PHB2	5	0.38	1.9	B	4000	17.5	0.135	32
DC0506PHB3	5	0.24	1.2	B	3300	14.5	0.11	27
DC1206PHS1	12	0.15	1.8	S	4300	21	0.175	37
DC1206PHS2	12	0.09	1.1	S	3800	18	0.14	32
DC1206PHS3	12	0.06	0.7	S	3000	15	0.12	26
DC1206PHB1	12	0.15	1.8	B	4300	21	0.175	37
DC1206PHB2	12	0.09	1.1	B	3800	18	0.14	32
DC1206PHB3	12	0.06	0.7	B	3000	15	0.12	26

