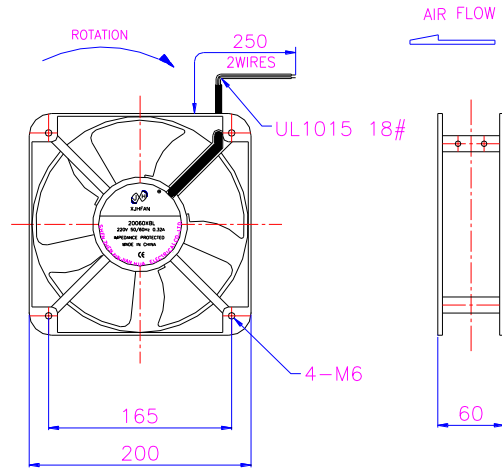


200 × 200 × 60 mm

XJHFAN

Bearing Type: Ball/Sleeve bearing

Air Flow: 350CFM



| 型号 P/N | 电压 Rating Voltage(VAC) | 频率 Frequency (Hz) | 电流 Power Current (AMP) | 功率 Power Consumption (WATTS) | 轴承 Bearing Ball Sleeve | 转速 Speed (RPM) | 风量 Air Flow (CFM) | 风压 Static Pressure (Inch-H2O) | 噪声 Noise (dBA) |
|------------|------------------------------|-------------------------|------------------------------|------------------------------------|------------------------------|----------------------|-------------------------|-------------------------------------|----------------------|
| JZ20060HBL | 115 | 50/60 | 0.60/0.55 | 58/55 | B | 2600/2800 | 340/350 | 0.38/0.48 | 58 |
| JZ20060HBL | 220/240 | 50/60 | 0.36/0.32 | 55/52 | B | 2600/2800 | 330/350 | 0.33/0.43 | 58 |

地址：广东省深圳市龙岗区平湖街道世纪工业区 B 区 2 号 3 楼
 电话：0755-23735300 13828711071 18948738489
 传真：0755-89699793
 网址：www.fanon.cn